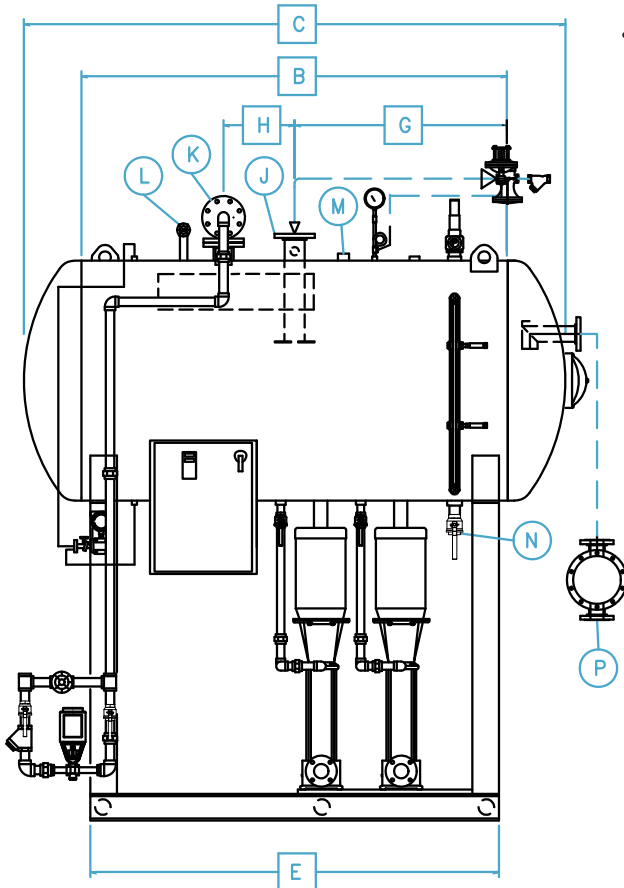




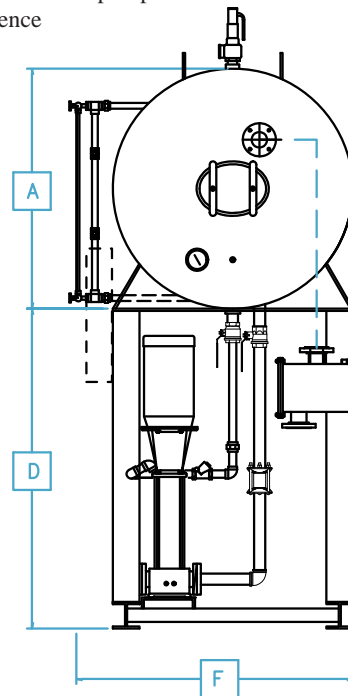
# P5 .005 cc/liter Pressurized Deaerators Horizontal

The standard features include:

- ASME code vessel
- 4' Stand
- Factory piped and mounted electric modulating make up/level control
- Factory piped and mounted 3-valve by-pass and strainer
- Steam pressure control valve & strainer
- Safety valves
- High efficiency boiler feed pumps
- Factory mounted pump suction piping with flexible connector & shut off valve
- High & low level switches



- NEMA 1 control panel with:  
Control circuit transformer  
Fused disconnect  
Integral starters  
Pump run lights  
HOA switches for each pump  
Alarm and silence



**CAPACITIES & STANDARD DIMENSIONS TABLE**

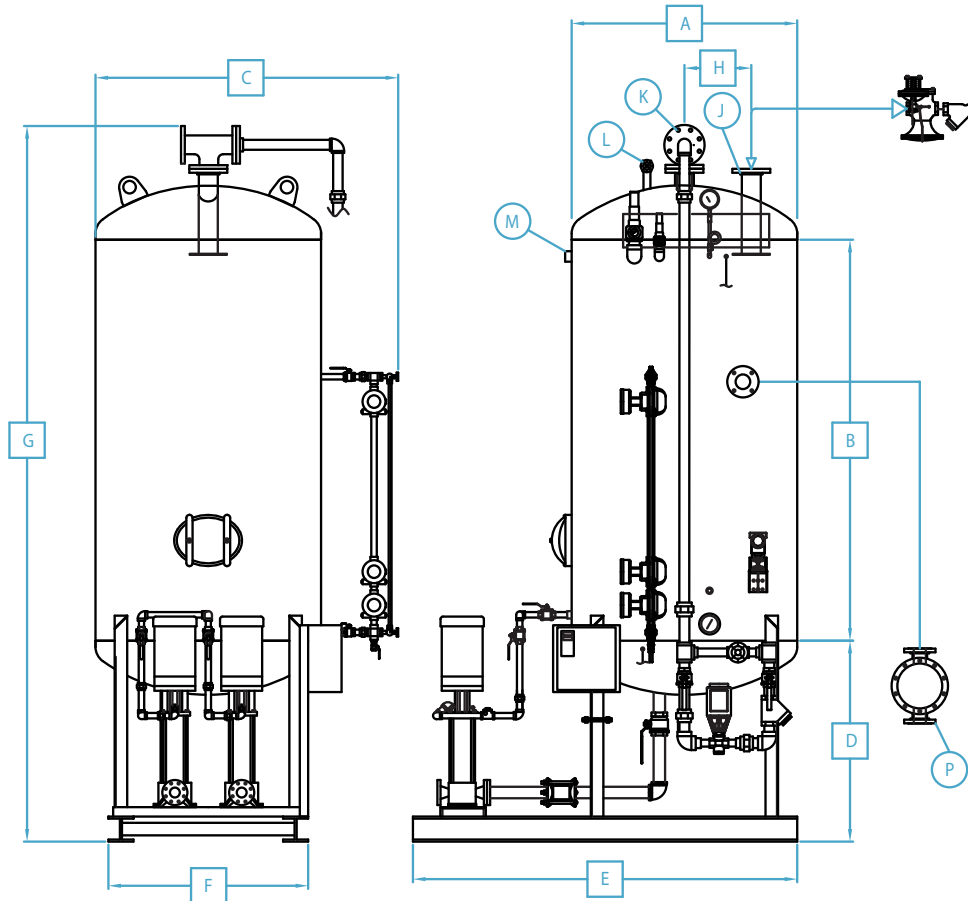
MODEL No.	1P5	2P5	3P5	4P5	6P5	8P5	10P5	12P5	15P5	18P5	21P5	24P5	30P5
<b>CAPACITY (LBS/HR)</b>	<b>3,450</b>	<b>6,900</b>	<b>10,350</b>	<b>13,800</b>	<b>20,700</b>	<b>27,600</b>	<b>34,500</b>	<b>41,400</b>	<b>51,750</b>	<b>62,100</b>	<b>72,450</b>	<b>82,800</b>	<b>100,000</b>
(A) DIAMETER	36	36	48	48	48	54	54	60	60	60	66	66	72
(B) SHELL (seam to seam)	48	48	48	48	72	94	94	94	120	144	144	196	196
(C) OVERALL LENGTH	65	65	70	70	94	119	119	124	148	172	172	224	224
(D) STAND HEIGHT	48	48	48	48	48	48	48	48	48	48	48	48	48
(E) STAND LENGTH	44	44	44	44	68	92	92	92	116	140	140	192	192
(F) OVERALL WIDTH*	48	48	60	60	60	66	66	72	72	72	78	78	78
(G) STEAM NOZZLE LOCATION	24	24	24	24	36	48	48	48	60	72	72	98	98
(H) MAKEUP NOZZLE LOCATION	11	11	11	11	11	16	16	18	18	18	19-1/2	19-1/2	19-1/2
(J) STEAM INLET	2	2	3	3	3	4	4	6	6	6	8	8	8
(K) WATER INLET**	3	3	3	3	3	4	4	4	4	4	6	6	6
(L) VENT OUTLET	1	1	1	1	1-1/4	1-1/4	1-1/4	1-1/4	1-1/4	1-1/2	1-1/2	1-1/2	1-1/2
(M) HIGH PRESS DRIP	1-1/2	1-1/2	1-1/2	1-1/2	1-1/2	1-1/2	1-1/2	1-1/2	1-1/2	1-1/2	1-1/2	1-1/2	1-1/2
(N) DRAIN OUTLET	1-1/2	1-1/2	1-1/2	1-1/2	2	2	2	2	2	2	2	2	2
(P) OVERFLOW OUTLET	2	2	2	2	3	3	3	3	3	3	3	3	3
CAPACITY TO OVERFLOW	155	155	285	285	413	697	697	866	1,060	1,254	1,450	1,658	2,010
STORAGE MINUTES	21.0	11.1	13.9	10.3	10.0	12.6	10.1	10.4	10.3	10.1	10	10.1	10
SHIPPING WEIGHT (lbs)***	1,400	1,400	2,000	2,000	2,400	3,100	3,100	3,600	3,850	4,100	4,800	5,300	6,000

Notes: System Includes 48" stand \*Includes 12" for panel \*\*Inlet "K" includes makeup and returns \*\*\*Not including boiler feed pumps & panel

# P5 .005 cc/liter Pressurized Deaerators Vertical

The standard features include:

- ASME code vessel
- 4' Stand
- Factory piped and mounted electric modulating make up/level control
- Factory piped and mounted 3-valve by-pass and strainer
- Steam pressure control valve & strainer
- Safety valves
- High efficiency boiler feed pumps
- Factory mounted pump suction piping with flexible connector & shut off valve
- High & low level switches



**CAPACITIES & STANDARD DIMENSIONS TABLE**

MODEL No.	1P5	2P5	3P5	4P5	6P5	8P5	10P5
<b>CAPACITY (LBS/HR)</b>	<b>3,450</b>	<b>6,900</b>	<b>10,350</b>	<b>13,800</b>	<b>20,700</b>	<b>27,600</b>	<b>34,500</b>
(A) DIAMETER	36	36	48	48	48	54	54
(B) SHELL (seam to seam)	48	48	48	48	72	94	96
(C) OVERALL LENGTH	54	54	66	66	66	72	72
(D) STAND HEIGHT	48	48	48	48	48	48	48
(E) STAND LENGTH	74	74	86	86	86	92	92
(F) OVERALL WIDTH*	30	30	42	42	42	48	48
(G) OVERALL HEIGHT	124	124	124	124	148	173	173
(H) MAKEUP NOZZLE LOCATION	11	11	11	11	11	16	16
(J) STEAM INLET	2	2	3	3	3	4	4
(K) WATER INLET**	3	3	3	3	3	4	4
(L) VENT OUTLET	1	1	1	1	1-1/4	1-1/4	1-1/4
(M) HIGH PRESS DRIP	1-1/2	1-1/2	1-1/2	1-1/2	1-1/2	1-1/2	1-1/2
(N) DRAIN OUTLET	1-1/2	1-1/2	1-1/2	1-1/2	2	2	2
(P) OVERFLOW OUTLET	2	2	2	2	3	3	3
CAPACITY TO OVERFLOW	155	155	285	285	413	697	697
STORAGE MINUTES	21.0	11.1	13.9	10.3	10.0	12.6	10.1
SHIPPING WEIGHT (lbs)***	1,400	1,400	2,000	2,000	2,400	3,100	3,100

\* Includes 48" stand \*\* Inlet "K" includes makeup and returns \*\*\* Not including boiler feed pumps & panel



- NEMA 1 control panel with:  
Control circuit transformer  
Fused disconnect  
Integral starters  
Pump run lights  
HOA switches for each pump  
Alarm and silence

