



800-228-8861
502-968-2211
rental.sales@wareinc.com
www.wareinc.com

STOCK EQUIPMENT

WARE Offers New/Used Equipment In Stock

BOILER INFORMATION

Manufacturer Victory Energy
Year 2019
Type Saturated Steam
Capacity 800 HP / 27,600 PPH
Pressure 250 PSI
Burner PF LNICM11A-GO-30

CONNECTION SIZES

Main Steam 10" 300# RF FL
Natural Gas 4" NPT
#2 Oil 1-1/2" NPT
Feedwater 2" 300# RF FL
Bottom Blowdown 2" 300# RF FL
Continuous Blowdown 1/2" NPT

FUEL CONSUMPTION

Natural Gas 33,000 SCFH
#2 Oil 235 GPH

CONTROLS

Honeywell 7800 Series

ELECTRICAL POWER REQUIREMENTS

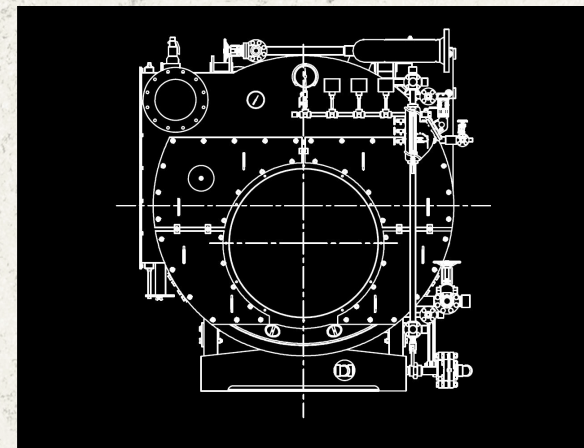
480V, 3 Ph, 60 Hz

EMISSIONS DATA

NOx .036# / mmBtu w/17% FGR
SO2 .001# / mmBtu
CO .15# / mmBtu
PM .008# / mmBtu

BOILER OVERALL DIMENSIONS & WEIGHT

Length/Width/Height approx: 322" / 130" / 146"
Shipping Weight ~58,328 lbs
Operating Weight ~78,328 lbs



ADDITIONAL INFORMATION

SSB-49
Model: F3-DB-5106C-800-S250-SB-FGR

Firetube Boiler, 3-Pass, Dryback,
800 BHP, 250 psig with a Powerflame
Low NOx Natural Gas & #2 Oil burner
system. Burner has a 6:1 turndown ratio
and is rated for 33 mmBtu gas input.

Package meets UL, NFPA, CSD-1 codes.

The boiler is offered with a one (1) year parts and motors warranty (less labor) and the pressure vessel is guaranteed to pass an ASME inspection.