

Custom Engineered Electric Steam Boiler Skidded Systems

Electric Steam Boilers are the perfect choice to supply steam close to the point of use. Shorter steam lines save installation cost and increase the total system efficiency by reducing heat loss. Since electric steam boilers don't require chimneys and fossil fuel tanks, they can easily be moved from one to another location. We offer skidded pre-piped boiler packages that do not require more than an electric power supply, a water supply and a means to drain to the sewer.



**RB-Series
Boiler Skid Package
8-30kW (0.8-3BHP)**



**RX-Series
Boiler Skid Package
24-120kW (2.4-12BHP)**



**RHP-Series
Boiler Skid Package
120-750kW (12-75BHP)**

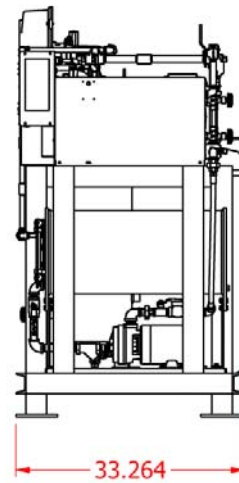
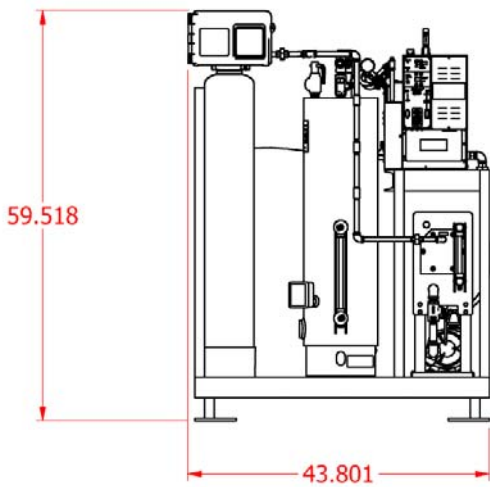
Skidded packages may include the following equipment:

- Electric steam boiler
- Condensate return tank/makeup water tank
- Boiler blow-off tank
- Complete water softening system
- Control voltage transformer
- Automatic boiler blow-off valves
- Steam separator, etc.

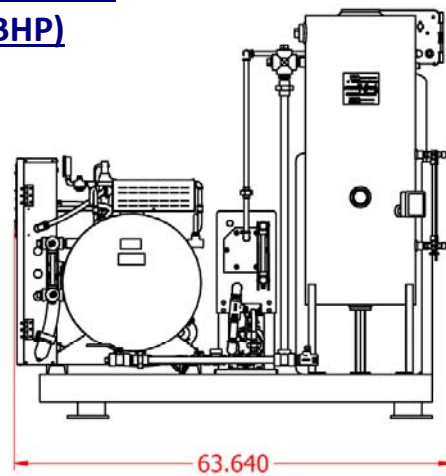
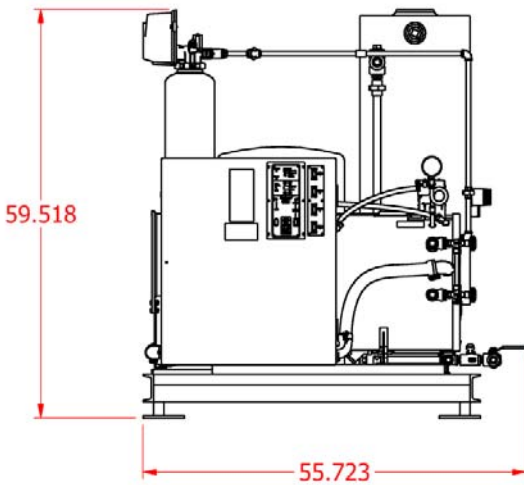
Please call our qualified sales team at
540-662-3811.

We are glad to assist you in designing the
proper package for your specific application.

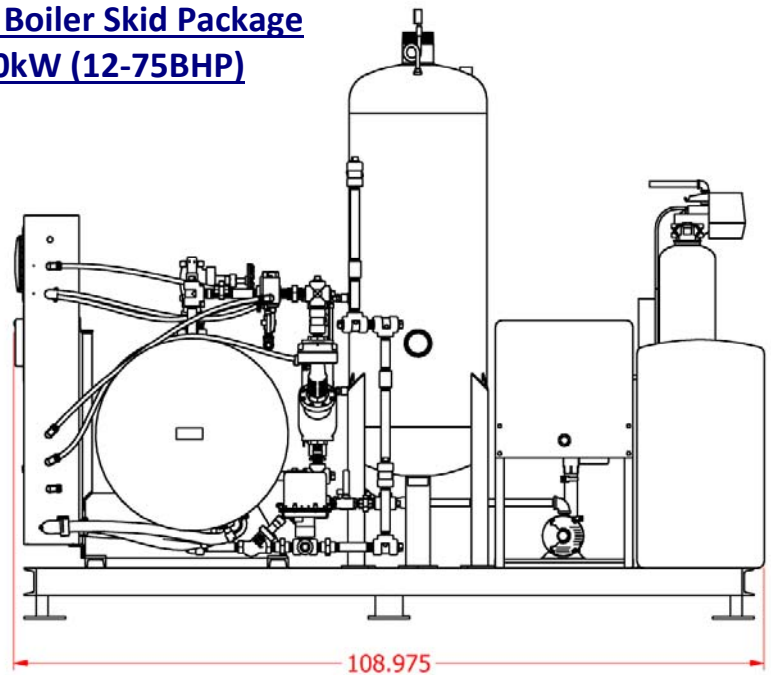
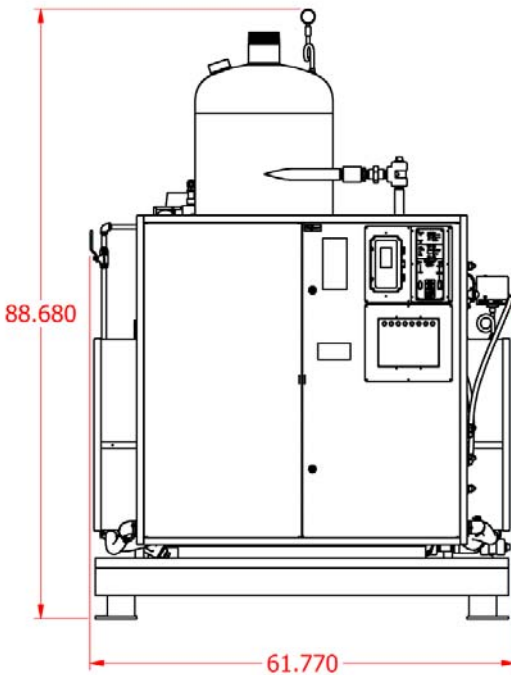
RB-Series Boiler Skid Package
8-30kW (0.8-3BHP)



RX-Series Boiler Skid Package
24-120kW (2.4-12BHP)



RHP-Series Boiler Skid Package
120-750kW (12-75BHP)



NOTE: The dimensions indicated above are for reference purposes only. The overall dimensions depend on the selected equipment and its location on the skid.