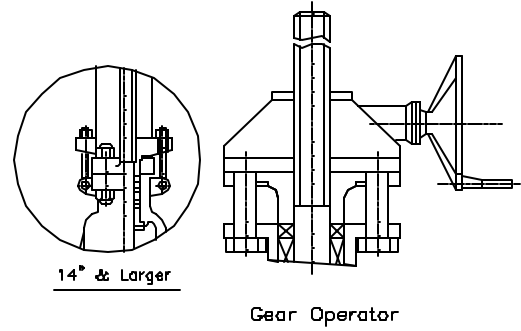


Cast Steel Gate Valve

Class 150 Flanged (2" to 36") - 15FGAW

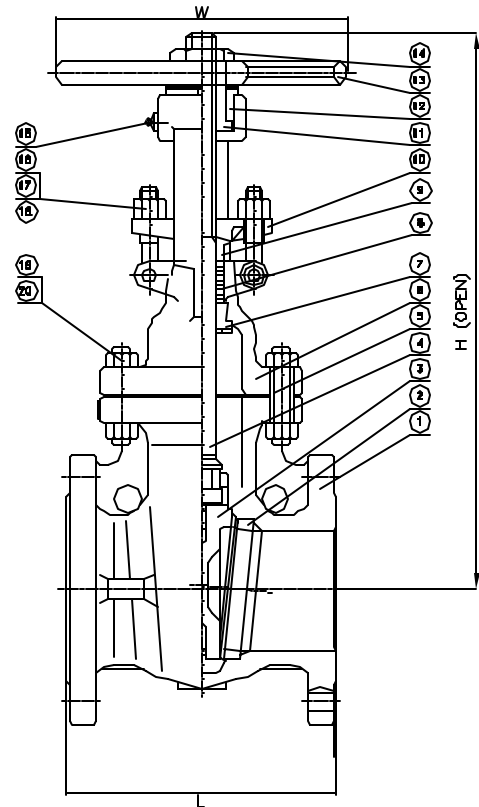
Class 150 Butt Weld (2" to 36") - 15BGAW



NO.	PART NAME	MATERIAL
1	BODY	A216 WCB
2	SEAT	A105+HF
3	WEDGE	WCB+F6
4	STEM	A182 F6
5	GASKET	Spiral Wound S5/Graphite
6	BONNET	A216 WCB
7	BACK SEAT	A276 410
8	PACKING	Graphite
9	PACKING GLAND	A276 410
10	GLAND	A216 WCB
11	STEM NUT	D-2 Ductile Iron
12	GLAND NUT	1035 Steel
13	HANDWHEEL	Ductile Iron
14	LOCK NUT	A29 1035 Steel
15	GREASE FITTING	Steel
16	EYE BOLT	A193 B7 Steel
17	EYE BOLT NUT	A194 2H Steel
18	EYEBOLT PIN	A29 1035 Steel
19	BOLT	A193 B7 Steel
20	NUT	A194 2H Steel

Davis cast steel valves comply with the following applicable specifications: ANSI B16.10, ANSI B16.5, API 600: Tested to API 598

Working Pressure: 285 WOG Body Testing Pressure: 428 psi
Seat Testing Pressure: 314 psi Air Testing Pressure: 80 psi



NPS d	in	2	2-1/2	3	4	5	6	8	10	12	14	16	18	20	24	30	36
	mm	51	64	76	102	127	152	203	254	305	337	387	438	489	591	743	915
L (RF)	in	7	7.5	8	9	10	10.5	11.5	13	14	15	16	17	18	20	24	28
	mm	178	190	203	229	254	267	292	330	356	381	406	432	457	508	610	711
L (BW)	in	8.50	9.50	11.14	12.00	15.00	15.88	16.50	18.00	19.76	22.50	24.00	26.00	26.00	32.00	36	40
	mm	216	241	283	305	381	403	419	457	502	572	610	660	711	813	914	1016
H (open)	in	15.20	17.13	19.02	23.11	26.50	30.20	37.60	45.12	52.28	59.80	67.76	74.80	83.31	97.64	134.5	161.8
	mm	386	435	483	587	673	767	955	1146	1328	1519	1721	1900	2116	2480	3417	4109
W	in	7.87	7.87	9.84	9.84	11.81	11.81	13.78	17.72	19.69	18.11	18.11	18.11	24.02	24.02	Gear	Gear
	mm	200	200	250	250	300	300	350	450	500	460*	460*	460*	610*	610*		
WT (lbs)	RF	44	66	79	117	157	187	300	485	712	853	1219	1455	1786	2756	4343	7070
	BW	37	57	64	101	146	170	256	445	648	772	1116	1268	1587	2491	4482	7209

